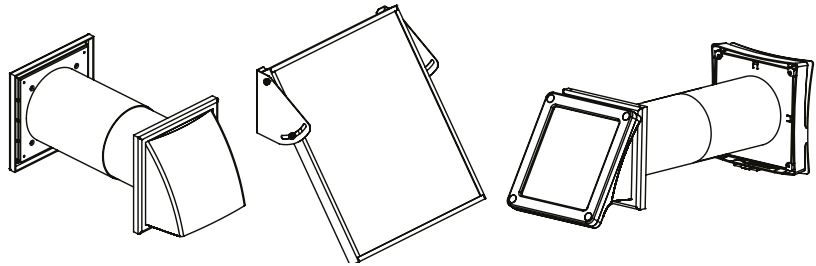


# PSS 102 - SOLAR WALL VENT INSTALLATION GUIDE



## INSTALLATION GUIDE

**IN-LINE CENTRIFUGAL FAN  
PSS 102**



### Tools required



Pencil



Drill



Screwdriver



Dowel

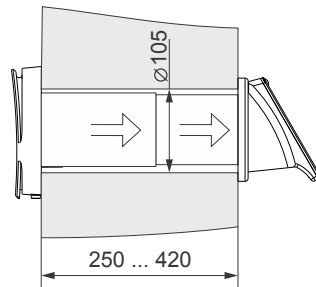


Screws

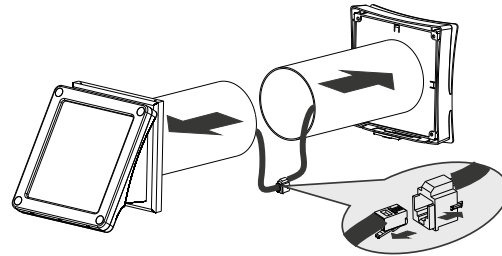
### MOUNTING

Installation of the built-in solar battery and external unit of ventilator

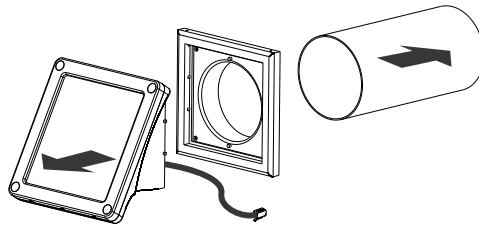
#### 1. Typical Fan installation



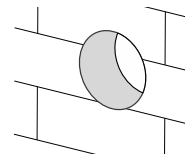
#### 2. Disassemble the telescopic air duct and disconnect the connectors



#### 3. Disassemble the front panel of the ventilator



#### 4. Drill a core hole in the wall



Vents-US  
400 Murray Road, Cincinnati, OH 45217, USA  
Tel: 1-888-640-0925, 513-583-5786, Fax: 513-268-4597  
E-mail: support@ventsus.com

www.vents-us.com

MIU\_69\_(PSS\_102)EN-01

# PSS 102 - SOLAR WALL VENT INSTALLATION GUIDE



<p><b>5.</b> Mark fastening holes</p>	<p><b>6.</b> Drill fastening holes</p>	<p><b>7.</b> Insert the duct into the back of the front panel</p>
---------------------------------------	--	---

<p><b>8.</b> Fix the back side of the front panel to the mounting surface with screws</p>	<p><b>9.</b> Install the front panel</p>
---	--

## Installation of the remote solar battery

<p><b>10.</b> Mark fastening holes</p>	<p><b>11.</b> Drill fastening holes</p>	<p><b>12.</b> Fix the mounting brackets to the mounting surface with screws</p>
<p><b>13.</b> Fix the panel in the selected position</p>	<p><b>14.</b> Set the panel at the desired angle</p>	<p><b>15.</b> Fix panel with screws</p>



Vents-US  
400 Murray Road, Cincinnati, OH 45217, USA  
Tel: 1-888-640-0925, 513-583-5786, Fax: 513-268-4597  
E-mail: support@ventsus.com  
www.vents-us.com

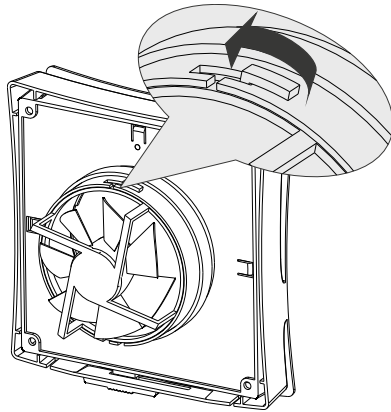
MIU\_69\_(PSS\_102)EN-01

# PSS 102 - SOLAR WALL VENT INSTALLATION GUIDE

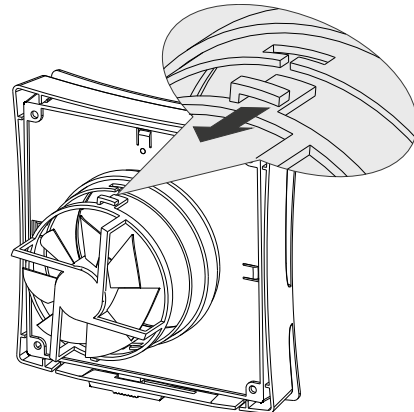


## Changing the air flow direction

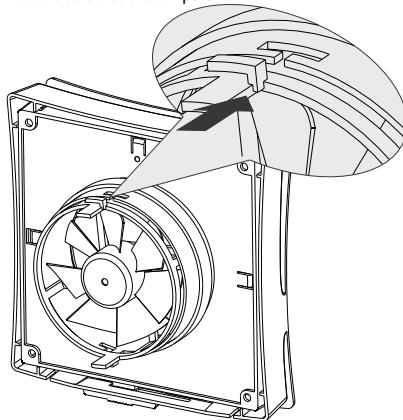
**16.** Turn the impeller



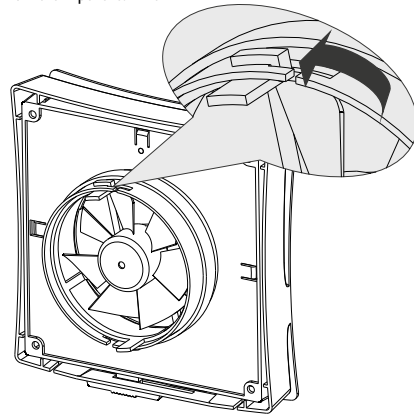
**17.** Remove the impeller



**18.** Insert the other side of the impeller



**19.** Turn the impeller to fix it

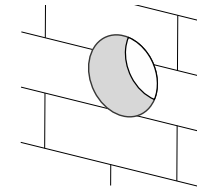
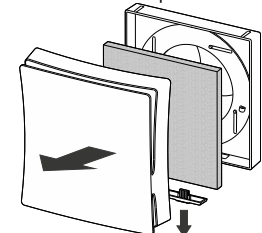
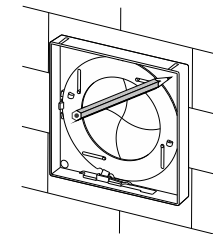
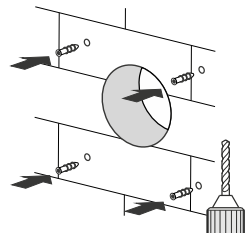
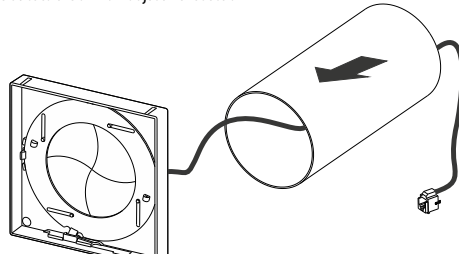
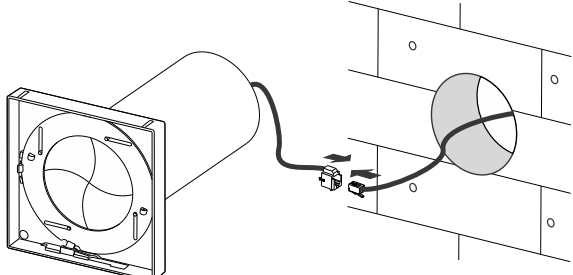
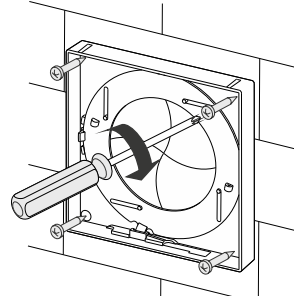


Vents-US  
400 Murray Road, Cincinnati, OH 45217, USA  
Tel: 1-888-640-0925, 513-583-5786, Fax: 513-268-4597  
E-mail: support@ventsus.com

# PSS 102 - SOLAR WALL VENT INSTALLATION GUIDE



## Installation of the ventilator internal unit

<p><b>20.</b> Drill a core hole in the wall</p> 	<p><b>21.</b> Disassemble the front panel of the ventilator</p> 	<p><b>22.</b> Mark fastening holes</p> 
<p><b>23.</b> Drill fastening holes</p> 	<p><b>24.</b> Attach the duct to the air flow adjustment section</p> 	
<p><b>25.</b> Connect the connectors and insert the air duct into the wall hole</p> 	<p><b>26.</b> Fix the back side of the wall vent to the mounting surface with screws</p> 	



Vents-US  
400 Murray Road, Cincinnati, OH 45217, USA  
Tel: 1-888-640-0925, 513-583-5786, Fax: 513-268-4597  
E-mail: support@ventsus.com  
www.ventsus.com

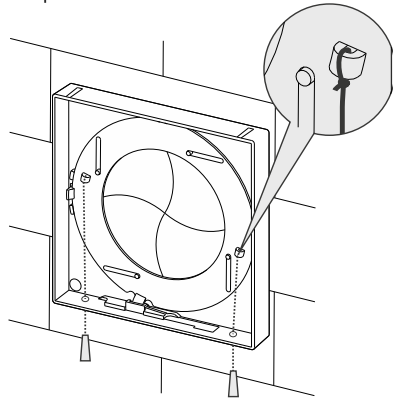
MIU\_69\_(PSS\_102)EN-01

# PSS 102 - SOLAR WALL VENT INSTALLATION GUIDE

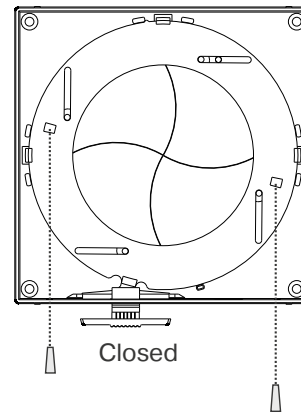


## Ventilator flow section adjustment

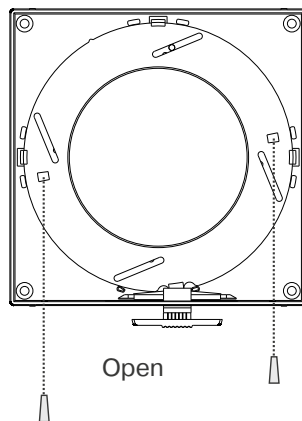
**27.** Set the pull-cord switch



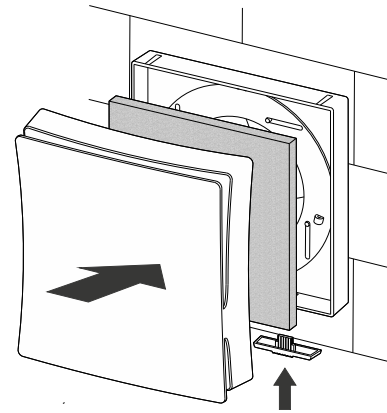
**28.** Adjusting the air flow with a pull-cord switch



**29.** Adjusting the air flow with a pull-cord switch



**30.** Fix the front panel of the ventilator



Vents-US  
400 Murray Road, Cincinnati, OH 45217, USA  
Tel: 1-888-640-0925, 513-583-5786, Fax: 513-268-4597  
E-mail: support@ventsus.com  
www.ventsus.com

MIU\_69\_(PSS\_102)EN-01

# PSS 102 - SOLAR WALL VENT INSTALLATION GUIDE



## Installation of the ventilator external unit

<p><b>31.</b> Remove the rear panel</p>	<p><b>32.</b> Mark fastening holes</p>	<p><b>33.</b> Drill fastening holes</p>
<p><b>34.</b> Insert the duct into the back of the rear panel</p>	<p><b>35.</b> Fix the back side of the rear panel to the mounting surface with screws</p>	
<p><b>36.</b> To remote battery</p>	<p><b>37.</b> Fix the rear panel</p>	



Vents-US  
400 Murray Road, Cincinnati, OH 45217, USA  
Tel: 1-888-640-0925, 513-583-5786, Fax: 513-268-4597  
E-mail: support@ventsus.com  
www.vents-us.com

MIU\_69\_(PSS\_102)EN-01