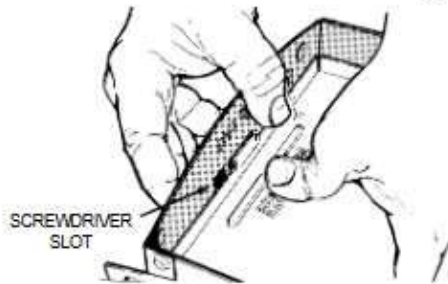


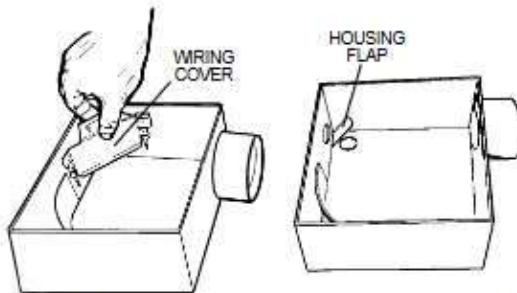
Carnes VCDD-C Ceiling Cabinet Fans Wiring Diagrams

Model : VCDD005C

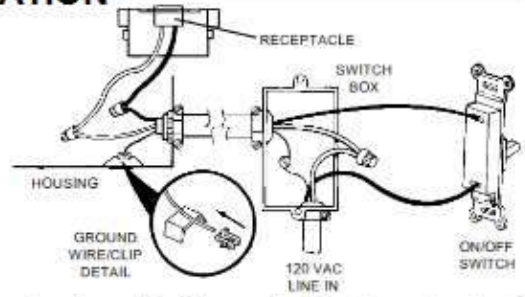
INSTALLATION



1. Remove motor plate from housing by pushing down on rib in plate while pulling out on side of housing. Motor plate may also be removed by inserting a straight-blade screw driver into slot in housing and twisting screw driver



2. Remove wiring cover from housing by pulling straight out. Unit is shipped ready to wire through the top of housing. To wire through the side, bend housing flap to cover top hole and expose side hole. **DO NOT BREAK OFF FLAP.** If flap breaks, Plug unused hole using standard electrical hole plug.
3. Turn off electrical power at service entrance and connect power cable to housing using appropriate connector. Wire black to black, white to white.

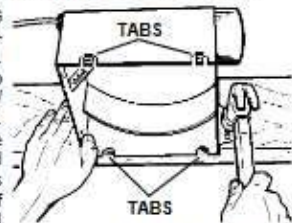


Insert ground wire into grounding clip and secure to emboss in housing. Push all wiring up into corner of unit and replace wiring cover. Make sure cover holds housing flap in place against side or top of housing. **CAUTION: DO NOT ALLOW WIRES TO EXTEND OUT SIDE OF WIRING BOX.** Wire left exposed will become pinched or cut when motor plate is installed. Electrical shock may result.

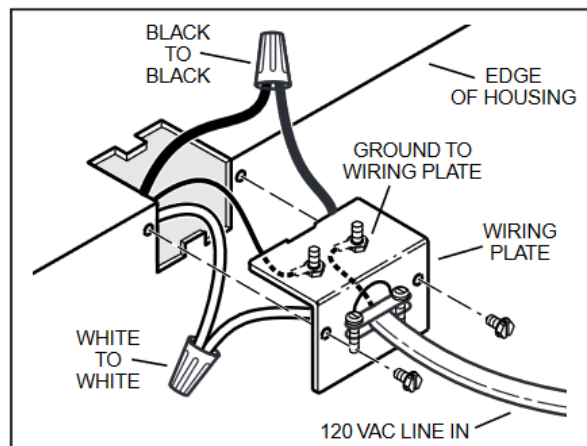
4. Choose the location for your fan. For best performance, use the shortest possible duct run and a minimum number of elbows. For wall installations: Position unit so damper flap closes when unit is off.

5. New installation prior to finishing the ceiling or wall:

MAKE SURE HOUSING WILL BE FLUSH WITH FINISHED CEILING OR WALL. Slotted tabs are provided to locate housing flush with 1/2" ceiling or wall material. Bend tabs outward 90° (Use a screw driver if desired) and position housing so that tabs rest against bottom edge of joists (or front of stud). Nail housing to joist or stud using four nails to ensure a solid, quiet installation. **Ceiling installations:** Tabs on opposite side of housing can be bent outward to rest on top of 1/2" ceiling material and provide extra stability.



Model : VCDD0010C – VCDD150C



*Ventilator can be wired from outside of housing.
Use UL approved connectors to wire per local codes.*