



CARNES VCDD210I-330I CEILING INLINE FAN PARTS MANUAL



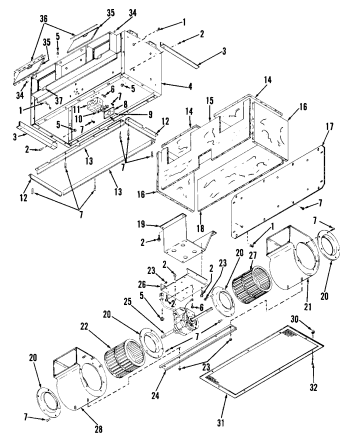
MODELS • VCDD210I • VCDD330I

Page 4

SERVICE PARTS

SERVICE PARTS

KEY NO.	MODEL VCDD210I PART NO.	QTY.	MODEL VCDD330I PART NO.	QTY.	DESCRIPTION
1	99420466	27	99420466	27	Insulation Clip
2	99170261	16	99170261	18	#5/16 - 18 x 1/2 Serrated Hex Head Screw
3	98006462	2	98006462	2	Mounting Bracket
4	97008107	1	97008108	1	Cabinet Body
5	93260447	12	93260447	14	#5/16 - 18 Lock Nut
6	99150471	2	----	--	#10-32 x 1/2 Green Ground Screw
7	99150490	42	99150490	44	#108 x 3/8 Serrated Pan Head Screw
8	99270658	1	99270658	1	Outlet Box Cover
9	99160319	2	99160319	2	#6-32 x 3/8 Machine Screw
10	99270656	1	99270657	1	Receptacle
11	99270659	1	99270659	1	Outlet Box
12	98006364	2	98006376	2	Duct Inlet Flange - short
13	98006363	2	98006375	2	Duct Inlet Flange - long
14	99500335	2	99500339	2	Bottom Panel
15	99500333	1	99500337	1	Insulation
16	99500334	2	99500338	2	Back Panel
17	98006699	1	98006700	1	Insulation
18	99500336	1	99500340	1	End Panel
19	97007450	1	97007451	1	Insulation
20	98006475	4	98006476	4	Blower Platform
21	97007453	1	97007455	1	Venturi Ring
22	99020172	1	99020174	1	Right Hand Scroll
23	99260477	10	99260477	12	Blower Wheel - clockwise
24	98006365	1	98006377	1	1/2-20 Lock Nut
25	99080194	1	99080195	1	Blower Support Channel
26	98006381	1	98006382	1	Motor
27	99020173	1	99020175	1	Motor Platform
28	97007452	1	97007454	1	Blower Wheel - counter-clockwise
29	G-102	1	G-103	1	Left Hand Scroll
30	99420470	8	99420470	8	Grille Kit (contains Key Nos. 30, 31 & 32)
31	98006477	1	98006478	1	Grille Nut
32	99150472	8	99150472	8	Grille
33	D-100	1	D-101	1	#8-18 x 1 1/4 Grille Screw
34	99100379	4	99100379	4	Damper Kit (contains Key Nos. 34, 35, 36 & 37)
35	98006479	2	98006480	2	Damper Bushing
36	98006481	2	98006472	2	Damper Rod
37	99760002	2	99760002	2	Damper Flap
**	97007448	1	97007448	1	Magnet
					Parts Bag (contains 4 ea. of Key Nos. 2 & 5)



Order replacement parts by PART NO. - not by KEY NO.
** Not Shown

11241



#2 Chootoo Road, South Aranguez, San Juan, Trinidad

