



Carnes VCDD90C-150C Ceiling Cabinet Fan Parts Manual

CARNES

MODELS
VCDD090C • VCDD150C

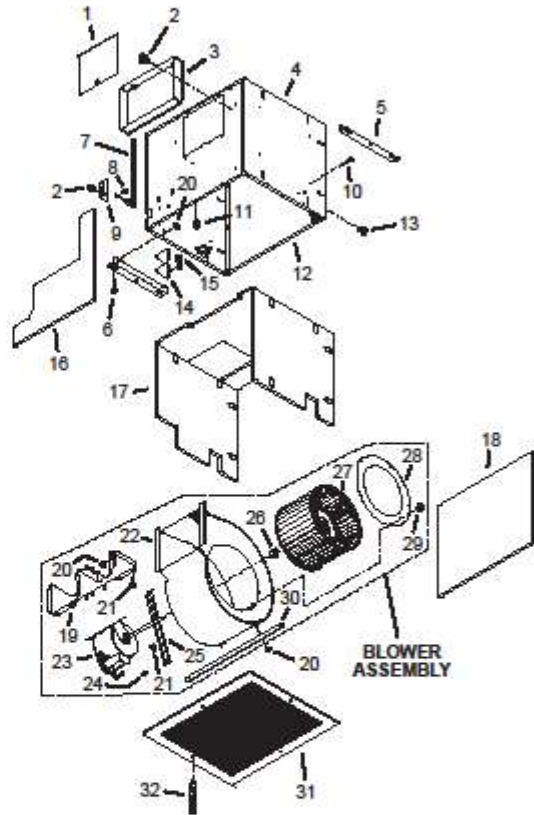
Page 4

SERVICE PARTS

KEY NO.	PART NO.	DESCRIPTION
1	97014853	Damper Flap
2	99150415	Screw, #8B x 1/2" (10 req.)
3	98009520	Duct Connector
4	97014784	Housing Assembly
5	97014728	Mounting Bracket (2 req.)
6	99150691	Mounting Screw (4 req.)
7	97006142	Wiring Harness
8	99150471	Ground Screw, #10-32 x 1/2" (2 req.)
9	98005512	Wiring Adapter Plate
10	99420466	Insulation Mounting Clip (16 req.)
11	99420470	Grille Nut (4 req.)
12	98009518	Movable Housing Panel
13	93150487	Screw, #10-24 x .375" (8 req.)
14	98005513	Outlet Box Cover
15	99400035	Strain Relief Bushing
16	99500394	Insulation, Front
17	99500393	Insulation, Base
18	99500395	Insulation, Back
19	97014788	Motor Bracket
20	99260477	Whiz Nut, 1/4-20" (11 req.)
21	99200202	Screw, 1/4-20 x 1/2" (5 req.)
22	97014785	Blower Scroll
23	99080490	Motor (VCDD090C)
	99080491	Motor (VCDD150C)
24	93260447	Nut, Hex Flange 5/16-18" (5 req.)
25	98009516	Support Bracket
26	99880019	Wheel Clamp
27	99020274	Blower Wheel (includes Key No. 26)
28	98009514	Inlet Ring
29	99150417	Screw, #8-18 x 1/2" (5 req.)
30	98009513	Scroll Support Channel
+	97014848	Blower Assembly Complete (VCDD090C) (Includes Key Nos. 19 thru 30)
+	97014849	Blower Assembly Complete (VCDD150C) (Includes Key Nos. 19 thru 30)
31	98009522	Grille
32	99150472	Grille Screw (4 req.)

Order replacement parts by PART NO. - not by KEY NO.
* Standard hardware - may be purchased locally.
+ Not shown assembled.

SERVICE PARTS



CARNES
448 S. MAIN STREET
VERONA, WISCONSIN 53593

11237



#2 Chootoo Road, South Aranguez, San Juan, Trinidad

