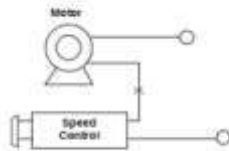


Carnes VCDD-C Ceiling Cabinet Fans Accessories



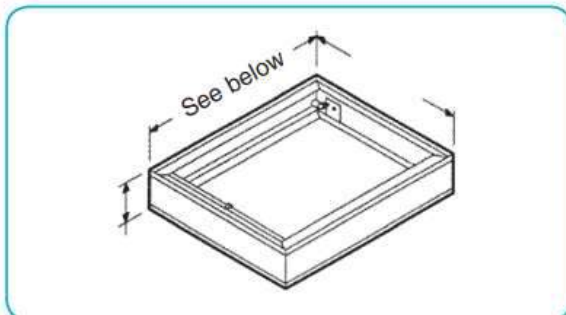
Model VXCBT TIME DELAY SWITCH
Adjustable from 5-60 minutes.

Solid State Variable Speed Switch



- **Model JXUA** — 3 amp
- **Model JXVA** — 6 amp
- **Model JXEA** — 8 amp
- **Model VXCBS** — 6 amp, 240 volt
- **Model VXCBM** — 6 amp, 277 volt
- **Model JTSA** — for use on VCDD010-090 (ceiling and in-line)

- Model JXUA**
- Model JXVA**
- Model JXEA**
- Model VXCBS**
- Model VXCBM**



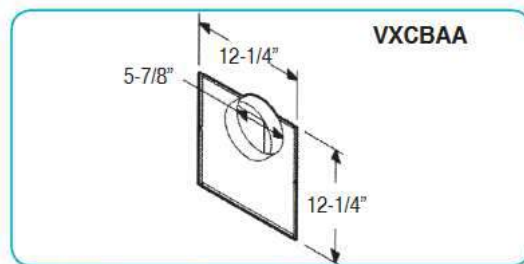
- **VXCBQA** (12-1/4"x12-1/4") fits VCDD 010C-030C.
- **VXCBQB** (21-1/2"x18") fits VCDD 040C-070C.
- **VXCBQC** (22"x18") fits VCDD 090C & VCDD 150C.
- **VXCBQE** (22"x15-3/4") fits VCDK 090C-170C.
- **VXCBQG** (8-3/16" Sq.) fits VCDK 005C.
- **VXCBQH** (10-9/16" Sq.) fits VCDK 008C-009C.

Radiation Dampers

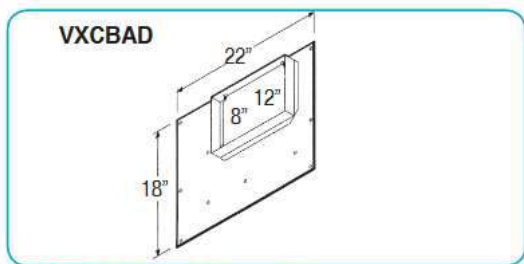
- UL Listed — classified for use in a 4-hour fire-rated ceiling.
- Galvanized steel.
- High temperature, non-asbestos, reinforced fiber thermal fabric.
- 165° fusible link.



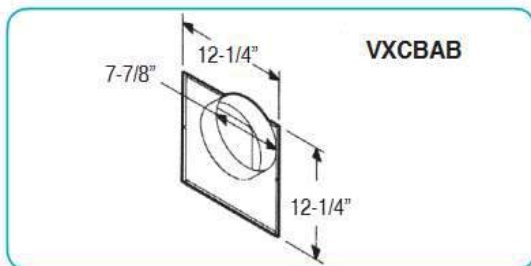
Carnes VCDD-C Ceiling Cabinet Fans Accessories



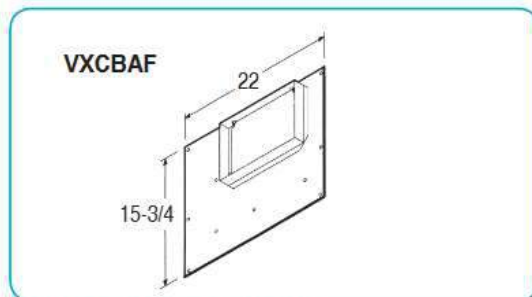
- VXCBA In-Line Adapter Kit**
- Galvanized steel.
 - Fits VCDD 010C & 015C.
 - 6" round duct connection.
 - Mounting hardware included.



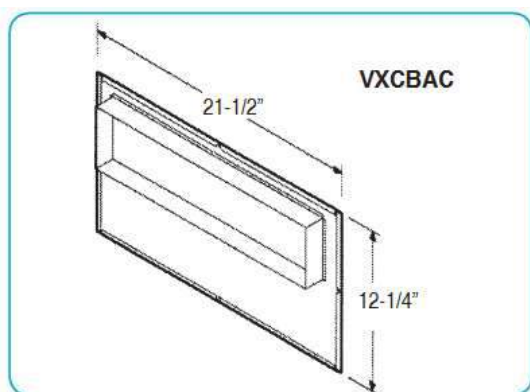
- VXCBA In-Line Adapter Kit**
- Galvanized steel.
 - Fits VCDD 090C & 150C.
 - 8" x 12" duct connection.
 - Mounting hardware included.



- VXCBA In-Line Adapter Kit**
- Galvanized steel.
 - Fits VCDD 020C, 025C & 030C.
 - 8" round duct connection.
 - Mounting hardware included.



- VXCBA In-Line Adapter Kit**
- Galvanized steel.
 - Fits VCDK 090C, 130C & 170C.
 - 9-3/8" x 12-3/4" duct connection.
 - Mounting hardware included.



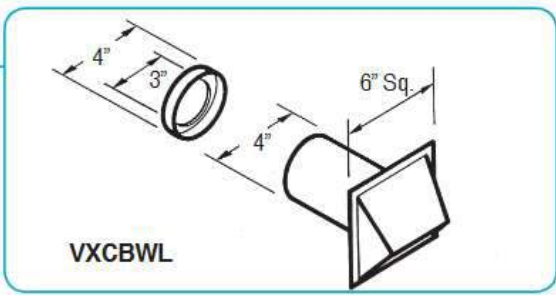
- VXCBA In-Line Adapter Kit**
- Galvanized steel.
 - Fits VCDD 040C, 050C & 070C.
 - 4-1/2" x 8-1/2" duct connection.
 - Mounting hardware included.



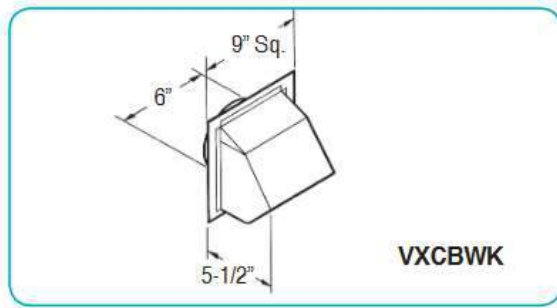
Carnes VCDD-C Ceiling Cabinet Fans Accessories

VXCBWL

- Aluminum - natural finish.
- Built-in backdraft damper.
- For 4" round duct (4" to 3" transition included).
- For use with VCDD and VCDK 005-009.



VXCBWL



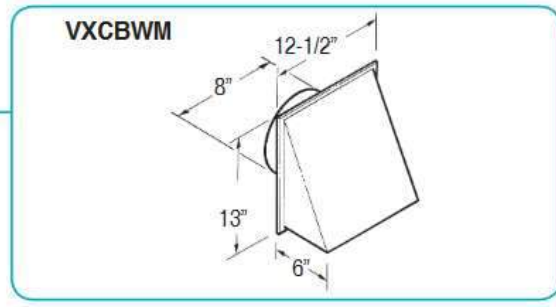
VXCBWK

VXCBWK

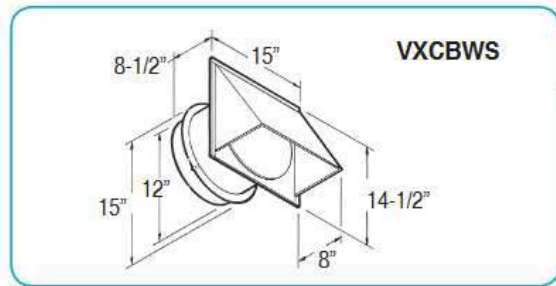
- Aluminum - natural finish.
- Built-in backdraft damper and birdscreen.
- For 6" round duct.
- For use with VCDD and VCDK 010-015.

VXCBWM

- Aluminum - natural finish.
- Built-in backdraft damper.
- For 8" round duct.
- For use with VCDD 020-030.



VXCBWM



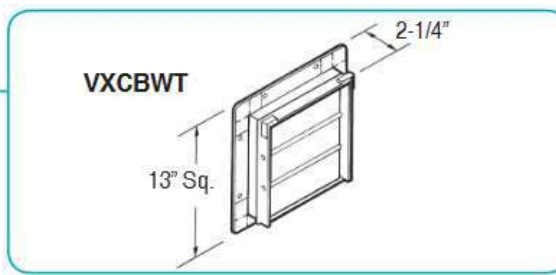
VXCBWS

VXCBWS

- Aluminum - natural finish.
- Built-in backdraft damper and birdscreen.
- VCDD and VCDK 040-170. (Transition may be required.)

VXCBWT

- Steel frame with aluminum louvers.
- 10" round duct connection.
- VCDD and VCDK 040-170. (Transition may be required.)



VXCBWT

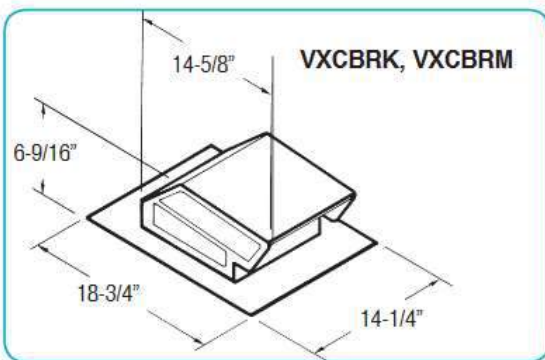
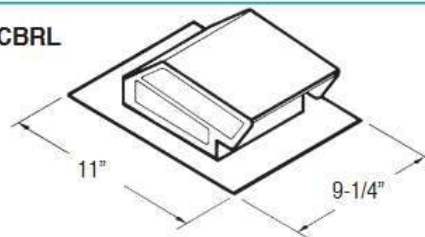


Carnes VCDD-C Ceiling Cabinet Fans Accessories

VXCBRL

- Steel black electrically bonded epoxy finish.
- Built-in backdraft damper and birdscreen.
- For 3" or 4" round duct.
- For use with VCDD and VCDK 005-009.

VXCBRL



VXCBRK

- Steel black electrically bonded epoxy finish.
- Built-in backdraft damper and birdscreen.
- For 6" round duct.
- For use with VCDD and VCDK 010-015.

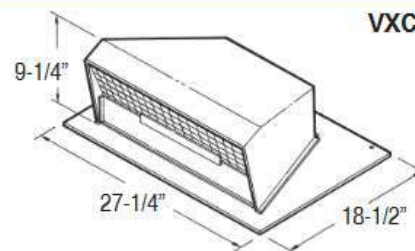
VXCBRM

- Steel black electrically bonded epoxy finish.
- Built-in backdraft damper and birdscreen.
- For 3-1/4"x10" or up to 8" round duct.
- For use with VCDD 020-030.

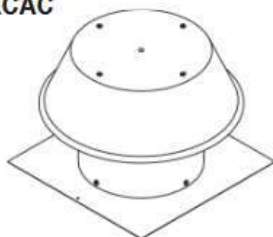
VXCBRD

- Steel black electrically bonded epoxy finish.
- Built-in backdraft damper and birdscreen.
- High capacity design - up to 1200 CFM.
- For 10-3/4" x 10-3/4" or up to 10" round duct.
- For use with VCDD and VCDK 040-090.

VXCBRD



VXCAF, VXCAC

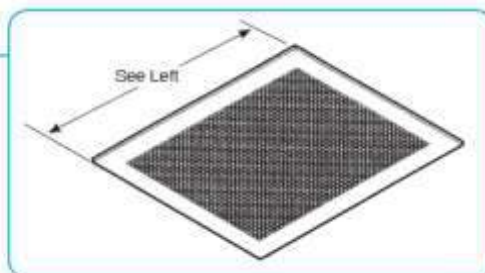


VXCAF (Flat Roof Cap) VXCAC (Curb Mounted Roof Cap)

- Natural aluminum finish.
- Spun aluminum cover.
- Integral birdscreen.
- Four sizes available - 8", 12", 16" and 20".
- For use with VCDD 005-210 and VCDK 005-170.
- See Carnes Submittal Sheet 26016 for dimensional details (also in gravity vent section).

Metal Grille Kit

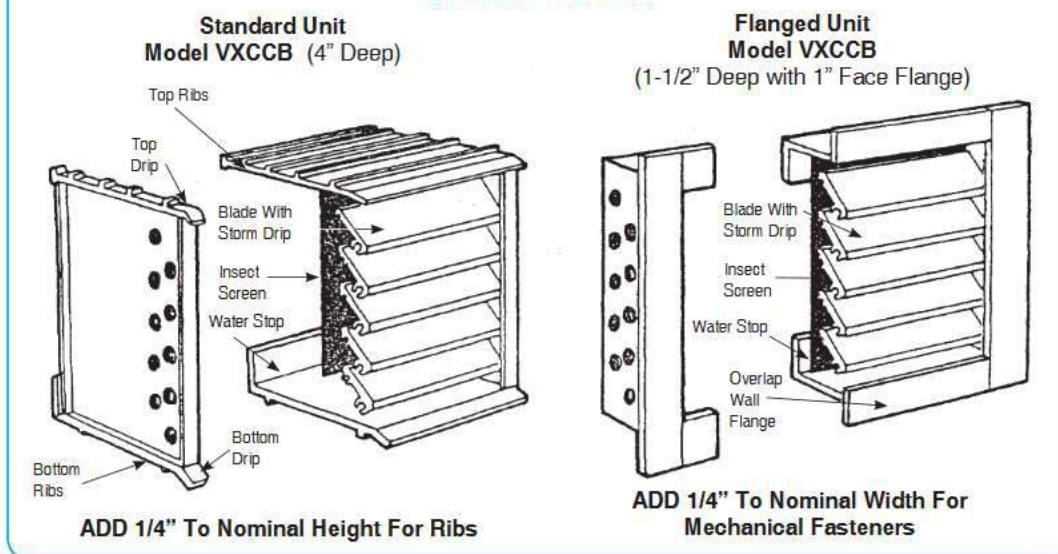
- Aluminum, painted white.
- Mounting clips included.
- **VXCBLH** (9-11/16" Sq.) fits VCDK 005C.
- **VXCBLK** (11-7/16" Sq.) fits VCDK 008C-009C.
- **VXCBGS** (10-1/4" Sq.) fits VCDD 005C-009C.
- **VXCBGF** (14" Sq.) fits VCDD 010C-030C.
- **VXCBKQ** (16-1/4" x 39-5/8") fits VCDD 210L.
- **VXCBKP** (18-3/8" x 47-1/4") fits VCDD 330L.





Carnes VCDD-C Ceiling Cabinet Fans Accessories

BRICK VENTS



Standard Features

- Blades are 1" deep, 1" spaced, 45° angle.
- Frame and blades are aluminum extrusions, minimum .125" thick.
- Two frame styles available.
- Custom sizes available.
- Provides maximum protection against water entering building.
- All units are provided with 204-R1 clear anodized finish as standard. Medium or dark bronze anodized or baked enamel are available.
- Aluminum insect screen, 18" x 16" aluminum mesh is standard.

4" Deep (Standard) Model and Number	Flange Model and Number	Nominal Sizes Width x Height*** (See notes below)
VXCCB10051S	VXCCB10051F	8-1/8" x 2-3/8"
VXCCB11051S	VXCCB11051F	8-1/8" x 4-3/4"
VXCCB12051S	VXCCB12051F	8-1/8" x 7-3/4"
VXCCB13051S	VXCCB13051F	12" x 2-3/8"
VXCCB14051S	VXCCB14051F	12" x 4-3/4"
VXCCB15051S	VXCCB15051F	12" x 7-3/4"
VXCCB16051S	VXCCB16051F	12" x 11-3/4"
VXCCB17051S	VXCCB17051F	15-5/8" x 7-3/4"
VXCCB18051S	VXCCB18051F	15-5/8" x 15-3/4"
VXCCB19051S	VXCCB19051F	16-1/2" x 2-3/8"
VXCCB20051S	VXCCB20051F	16-1/2" x 4-3/4"
VXCCB21051S	VXCCB21051F	16-1/2" x 7-3/4"
VXCCB22051S	VXCCB22051F	16-1/2" x 15-3/4"
VXCCB23051S	VXCCB23051F	24" x 2-3/8"
VXCCB24051S	VXCCB24051F	24" x 4-3/4"
VXCCB25051S	VXCCB25051F	24" x 7-3/4"
VXCCB26051S	VXCCB26051F	32" x 7-3/4"
VXCCB27051S	VXCCB27051F	48" x 7-3/4"

- ***NOTES:
1. 4" deep, Model **VXCCB** with standard frame will finish 1/4" higher than nominal height listed due to structural ribs on top and bottom.
 2. Flange vent, Model **VXCCB** with flange frame, is 1-1/2" deep with 1" front flange on four sides. Will finish 1/4" wider than nominal width listed due to mechanical fastener heads on sides.

