



# HUNTER - SYMPHONY - CEILING FAN WIRING AND LIGHTING GUIDE

www.HunterFan.com 1.888.830.1326

**Wiring**

**Note:** To connect the wires, hold the bare metal leads together and place a wire connector over them, then twist clockwise until tight.

**FROM CEILING**

**FROM FAN**

**FROM CEILING BRACKET**

Using an orange wire connector from the ★ hardware bag, connect the 3 grounding wires (green, green/yellow stripe, or bare copper) coming from the ceiling, downrod, and hanging bracket.

**OPTION 1:  
For a Single Switch**

Not for use in applications where the fan does not have a wall switch.

Using the orange wire connectors from the ★ hardware bag, connect the black wire (ungrounded) from the ceiling to the black wire from the fan. Connect the white wire (grounded) from the ceiling to the white wire from the fan. Cap the blue wire from the fan with an orange wire connector. It will not be used for single switch wiring.

**OPTION 2:  
For Dual Switches**

Using the orange wire connectors from the ★ hardware bag, connect the white wire (grounded) from the ceiling to the white wire from the fan. Connect the black wire (ungrounded) from the ceiling to the black wire from the fan. Connect the second (ungrounded) wire from the ceiling to the blue wire from the fan.

Turn the splices upward and push them carefully back through the hanger bracket into the outlet box. Spread the wires apart, with the grounded wires on one side of the outlet box and the ungrounded wires on the other side of the outlet box.

Refer to CAUTION c.1 on pg. 2

M3602-01 • 09/01/16 • © 2016 Hunter Fan Company



#2 Chootoo Road, South Aranguez, San Juan, Trinidad





# HUNTER - SYMPHONY - CEILING FAN WIRING AND LIGHTING GUIDE

Canopy www.HunterFan.com 1.888.830.1326

Position the canopy so that, when lifted into place, the canopy fits into the hanging bracket as shown.

Lift the canopy into place so that the screw holes are aligned.

Insert the two canopy screws found in the hardware bag.

10

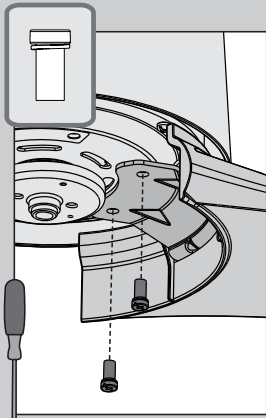
M3602-01 • 09/01/16 • © 2016 Hunter Fan Company





# HUNTER - SYMPHONY - CEILING FAN WIRING AND LIGHTING GUIDE

Blades www.HunterFan.com 1.888.830.1326



Lightly attach the blade irons to the motor with screws found in the X hardware bag, then securely tighten after both screws are attached. Repeat this step for each blade assembly.

11

M3602-01 • 09/01/16 • © 2016 Hunter Fan Company



#2 Chootoo Road, South Aranguez, San Juan, Trinidad



# HUNTER - SYMPHONY - CEILING FAN WIRING AND LIGHTING GUIDE

Switch Housing
www.HunterFan.com 1.888.830.1326

⊗ Screw two light kit screws from the hardware bag halfway into the motor housing. It does not matter which two screw holes you choose.

↑ Thread the plug connector from the fan through the upper switch housing. Wrap keyhole slots around the screws and twist counterclockwise.

⊗ Insert the third screw, found in the hardware bag, into place and then tighten all three screws.

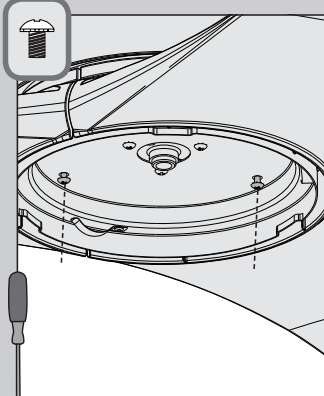
Make sure the upper switch housing is securely attached to the mounting plate. Failure to properly secure all 3 assembly screws could result in the switch housing fixture falling.

12  
M3602-01 • 09/01/16 • © 2016 Hunter Fan Company

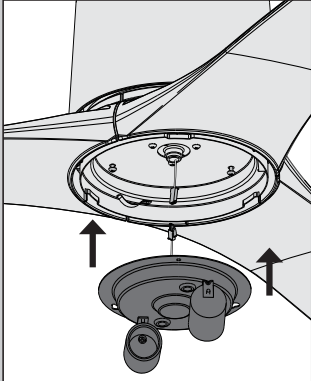


# HUNTER - SYMPHONY - CEILING FAN WIRING AND LIGHTING GUIDE

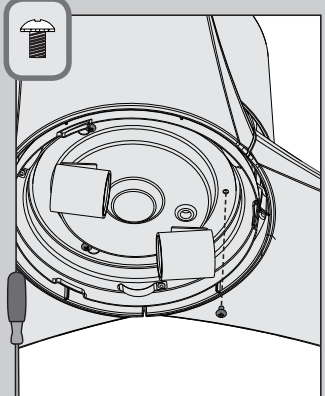
Light Kit www.HunterFan.com 1.888.830.1326




⊗ Screw two light kit screws from the hardware bag halfway into the switch housing. It does not matter which two screw holes you choose.



Connect the the plugs from the switch housing and the light kit. Push excess wiring into the switch housing. Wrap keyhole slots around the screws and twist counterclockwise.



⊗ Insert the third screw, found in the hardware bag, into place and then tighten all three screws.

Make sure the light kit is securely attached to the mounting plate. Failure to properly secure all three assembly screws could result in the light fixture falling. 

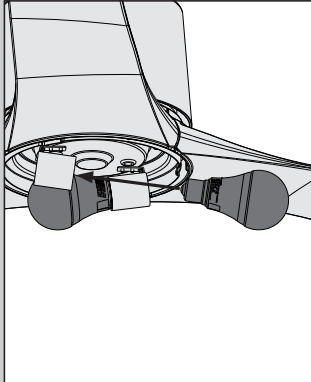
**13**  
M3602-01 • 09/01/16 • © 2016 Hunter Fan Company



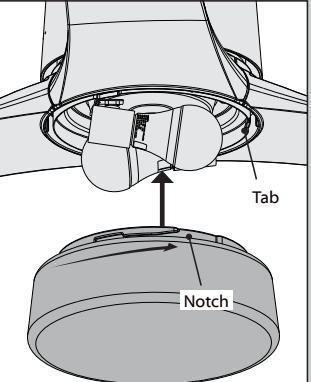


# HUNTER - SYMPHONY - CEILING FAN WIRING AND LIGHTING GUIDE


Light Kit (continued) www.HunterFan.com 1.888.830.1326



Install a light bulb in each socket.  
When necessary, replace with bulbs of the same wattage.



Lift the globe and align the notches in the globe with the tabs in the light kit. Attach the globe by lifting and twisting clockwise until it rests firmly in place.



**CONGRATULATIONS!  
YOU'RE DONE!**

**See next page for remote operation instructions.** →

14  
M3602-01 • 09/01/16 • © 2016 Hunter Fan Company

