

# HUNTER - STARKLAKE - CEILING FAN WIRING AND LIGHTING GUIDE


## Wiring the Fan

We know wiring is hard. Let's make it easier.

Follow these steps to get your fan wired quickly and safely. Follow the route below that best matches your wall switch setup. If you are unfamiliar with wiring or uncomfortable doing it yourself, please contact a qualified electrician.

You are going to need these:

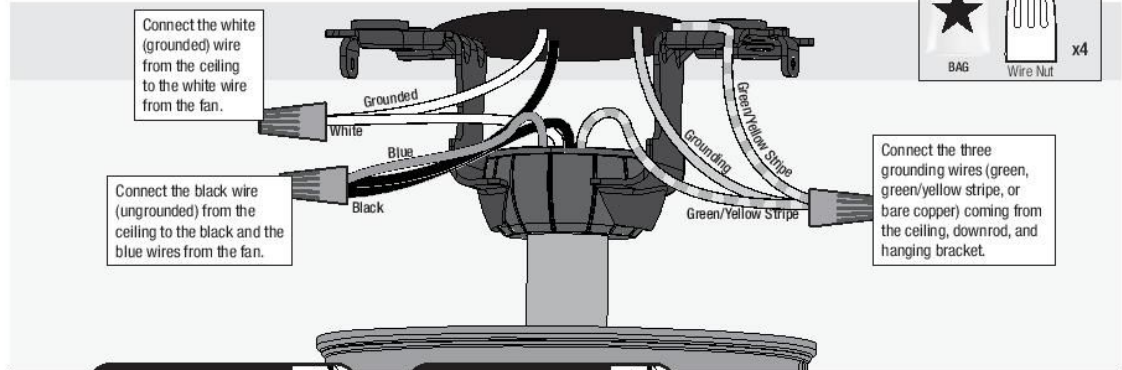
4 Wire Nuts (these are in the ★ bag)

 **Have a single switch?**  
Follow these steps:

**Hunter Pro Tip:**

**Here is how to connect the wires:**

Push the bare metal ends of the wires together and slide a wire nut over them. Then, twist the wire nut clockwise until tight. Give it a gentle pull to make sure none of the wires are loose.




**⚠ WARNING**  
The ceiling fan must be grounded. If the ground wire for the installation site is not present, immediately **STOP** installation and consult a qualified electrician.

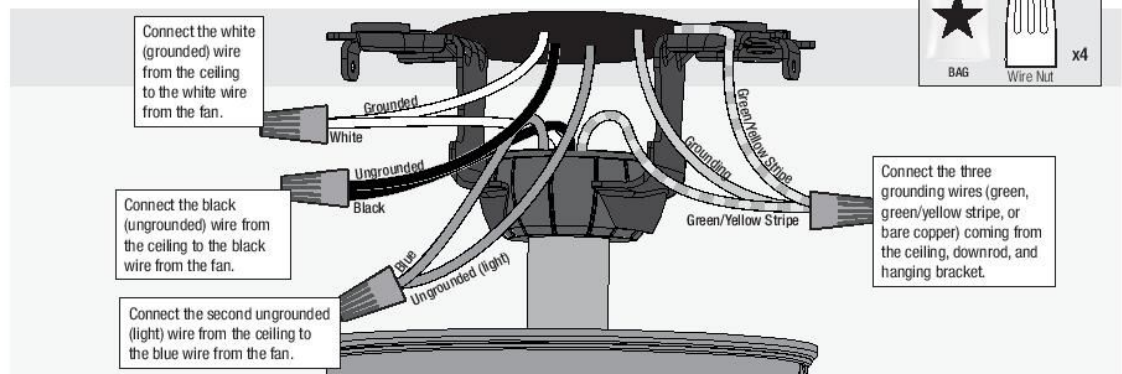
**⚠ WARNING**  
All wiring must be in accordance with national and local electrical codes ANSI/NFPA 70. If you are unfamiliar with wiring or in doubt, consult a qualified electrician.

**Hunter Pro Tip:**

**Have extra wiring?**

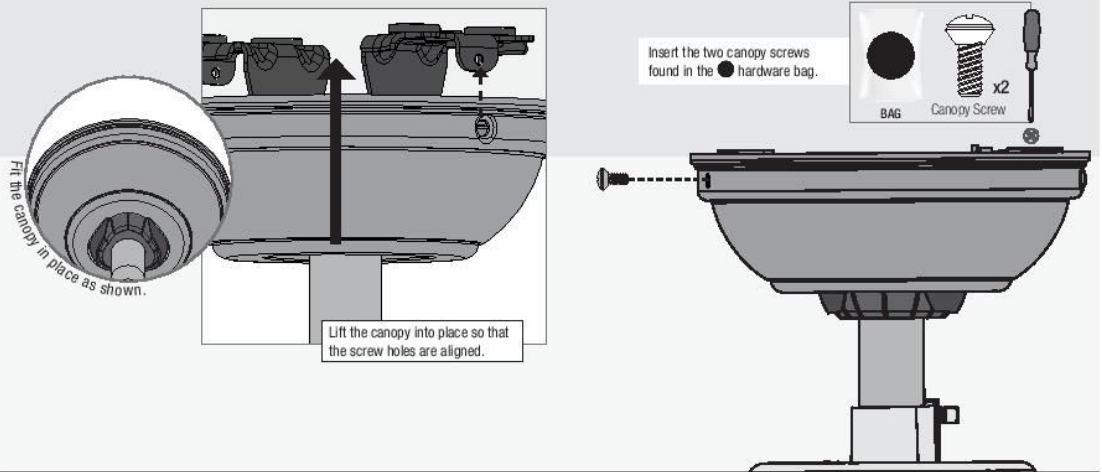
Turn the wires upward and push them carefully back through the hanger bracket into the outlet box. Make sure that the wires are still attached to the wire nuts.

 **Have dual switches?**  
Follow these steps:

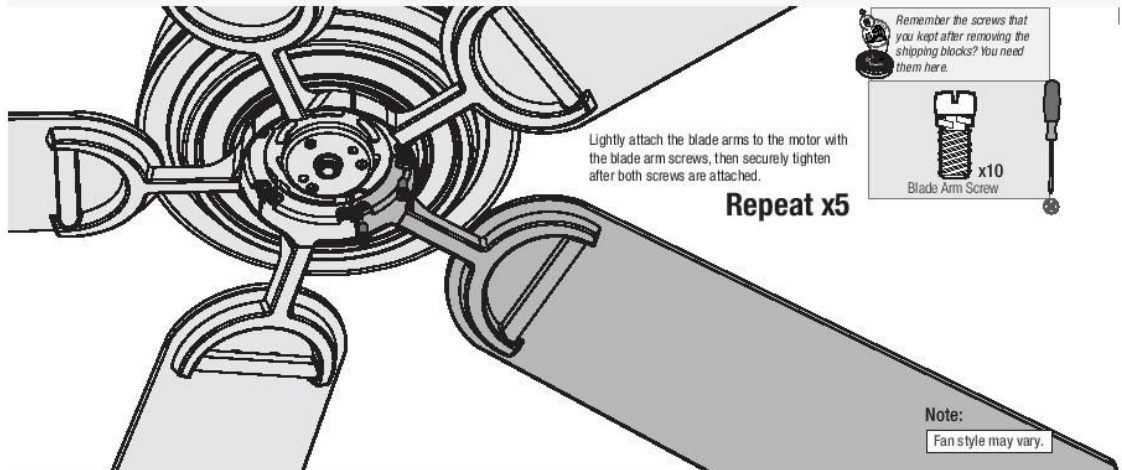
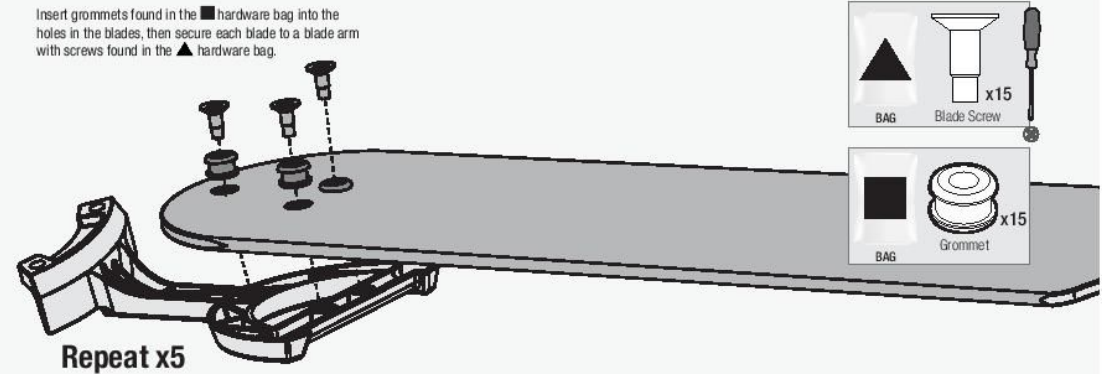


# HUNTER - STARKLAKE - CEILING FAN WIRING AND LIGHTING GUIDE

## Installing the Canopy



## Installing the Blades:



Note:  
Fan style may vary.

# HUNTER - STARKLAKE - CEILING FAN WIRING AND LIGHTING GUIDE

## Assembling the Light

**STEP 1**

**2 of 3**  
BAG Light Kit Screw

Screw light kit screws from the hardware bag halfway into the motor housing. It does not matter which two screw holes you choose.

**STEP 2**

Feed the wire plug through the center hole of the upper switch housing, then wrap keyhole slots around the screws and twist counterclockwise.

**STEP 3**

**1 of 3**  
BAG Light Kit Screw

Insert a third screw, found in the hardware bag, into place and then tighten all three screws.

**WARNING**

**FAN FALL HAZARD**  
Make sure all three screws are tight to secure the upper switch housing to the mounting plate.

**STEP 4**

Connect the plugs from the upper and lower switch housings. Make sure to line up the colored markings on the connectors.

**STEP 5**

Lift the lower switch housing up until its screw holes are aligned with the screw holes in the upper switch housing.

**STEP 6**

**x3**  
BAG Switch Housing Screw

Install the three switch housing screws found in the hardware bag.

**WARNING**

**FAN FALL HAZARD**  
Make sure all three screws are tight to secure the lower switch housing to the upper switch housing.

## Installing the Bulbs and Glass

Install a bulb into each of the sockets. When necessary, replace with bulbs of same wattage.

**Repeat x3**

To install the cage, first loosen the thumb screws. Raise the shade to the light fixture. Tighten all thumbscrews securely.

**Repeat x3**

Turn Power ON

**Hunter Pro Tip:**  
Want to install your fan without a light kit? Go to [www.HunterFan.com/FAQs](http://www.HunterFan.com/FAQs) and click "How do I install my fan without the light kit?"

**Note:**  
Fan style may vary.

**WARNING**

**GLASS FALL HAZARD**  
To prevent SERIOUS INJURY or DEATH, make sure that glass is properly secured.