



VENTS-US - TT PRO SERIES- INLINE FAN SPECIFICATION SHEET



PRODUCT SPECIFICATIONS

TT PRO

INLINE MIXED FLOW FANS

TT PRO
INLINE MIXED FLOW FANS

DESCRIPTION

Turbo Tube PRO series is the new ideal engineering solution for premises where powerful airflow is required. The unique motor, powerful mixed flow impeller and special aerodynamic casing combination enables the Turbo Tube PRO fans to deliver superb airflow performance even at higher static pressures typically found in extensive ventilation systems. The Removable Body, including motor, impeller and junction box, is the Ultimate Solution for Easy Installation & cleaning. Turbo Tube PRO fans are compatible with 4", 5", 6" diameter ducts. Five year warranty.



CASING

The fan's casing is made of high quality, UV resistant plastic (UL94 certified plastic). It is equipped with a mounting plate to attach the fan to the wall or ceiling.

MOTOR

Motors are supplied with automatic reset thermal protection and are equipped with ball bearings for longer service life (40,000 hrs). Suitable for air stream temperature up to 140 °F.

SUITABLE FOR:

Kitchen / pools / stores / bars / restaurants / offices / public institutions / manufacturies etc



07-2020



#2 Chootoo Road, South Aranguez, San Juan, Trinidad





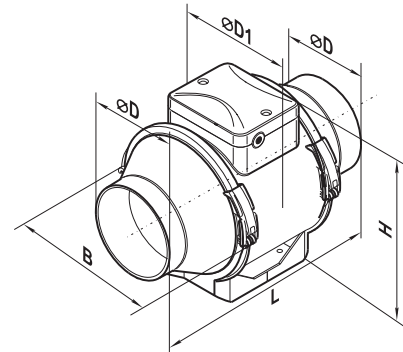
VENTS-US - TT PRO SERIES- INLINE FAN SPECIFICATION SHEET



TT PRO
INLINE MIXED FLOW FANS

DIMENSIONS

Model	Measurements [in.]					lbs
	ØD	ØD1	B	H	L	
TT PRO 100	3 7/8"	5 1/2"	7 5/8"	8 7/8"	12"	4.0
TT PRO 125	4 7/8"	6 3/8"	7 1/2"	8 7/8"	10 1/8"	4.0
TT PRO 150	5 7/8"	7 3/4"	8 1/2"	9 7/8"	11 3/8"	6.0



PERFORMANCE

Model	Duct dia	Speed	RPM*	Watts*	Amps*	CFM vs. Static Pressure (Ps) in WG										Volts	
						0	0.1	0.2	0.3	0.4	0.5	0.6	0.7	0.8	0.9		1
TT PRO 100	4"	high	2927	48	0.4	210	198	184	164	135	107	79	59	44	26	2	120 V / 60 Hz
		low	2414	38	0.32	144	131	121	106	91	70	51	33	14	2	-	
TT PRO 125	5"	high	3003	62	0.53	286	269	250	229	209	154	99	63	31	-	-	120 V / 60 Hz
		low	2570	48	0.42	221	208	192	173	146	106	73	44	9	-	-	
TT PRO 150	6"	high	2981	81	0.69	378	366	355	342	328	313	298	281	259	233	127	120 V / 60 Hz
		low	2432	75	0.64	313	296	278	258	240	219	198	164	121	82	54	

MODEL	QUANTITY	COMMENTS	PROJECT
			location:
			architect:
			engineer:
			contractor:
			submitted by:

400 Murray Road, Cincinnati, OH 45217
Tel: 1-888-640-0925,
513-583-5786
Fax: 513-268-4597

E-mail: sales@ventsus.com
support@ventsus.com
zoltan@ventsus.com



07-2020



#2 Chootoo Road, South Aranguéz, San Juan, Trinidad

