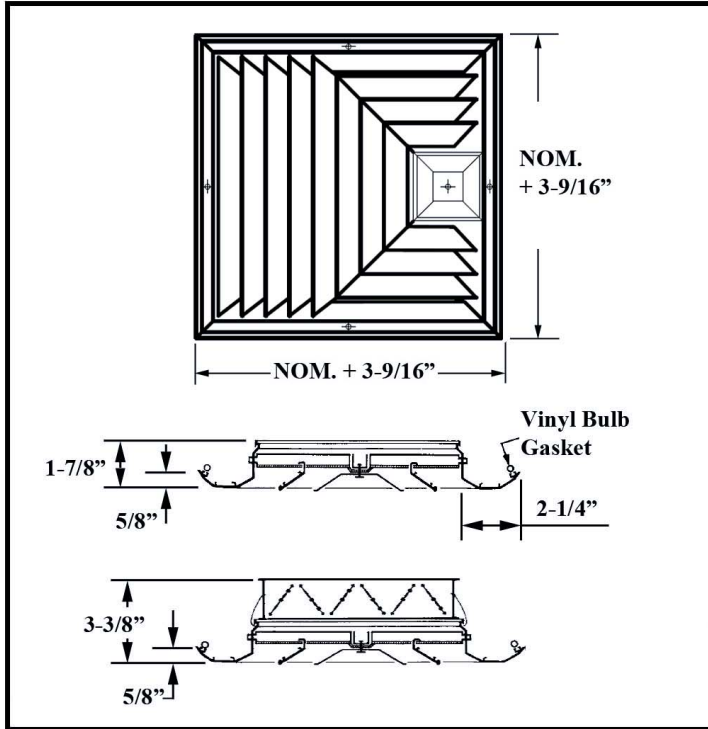




AIRGUIDE - JS - CEILING DIFFUSER SPECIFICATION SHEET

 <small>LIFETIME AIR DISTRIBUTION ADVANTAGE</small>	CEILING DIFFUSERS SQUARE CEILING DIFFUSERS MODELS: JS3, JS3OB
SUSTAINABLE EXTRUDED ALUMINUM	

Dimensions are in inches (mm)



MODEL:
JS3



- JS3**
Square ceiling diffuser, 3-way
- JS3-OB**
Square ceiling diffuser, 3-way with OB damper

- OPTIONS:**
1. Finish
 - ANOD Clear Anodized
 - WHITE
 - MB** Medium Bronze
 - B** Black
 - Custom _____
 2. Frame style
 - Beveled Frame
 3. Options:
 - SR
 - PLT

DESCRIPTION:

1. Frame and blades are 6063 extruded aluminum alloy with 200-R1 satin anodized finish.
2. At the outer edge of the frame is a specially engineered channel which retains an extruded flexible vinyl gasket that produces a positive air seal at the mounting surface, minimizing smudging.
3. This model increases in 2" increments beginning with 6"x6" through 24"x24" as the largest size. The core is non-removable.
4. An optional OB damper mounts through a series of spring clips and is lever-operated from the face of the unit. The damper frame is separated from the blades with nylon bushings. This method of assembly eliminates corrosion and vibration.
5. Standard finish is Anodized. Other finishes are available.

PROJECT:			
ENGINEER:		DATE:	SERIES:
CONTRACTOR:		DRAWING NO.:	

AirGuide Manufacturing, LLC. reserves the right to change any information concerning product or pricing without notice.