
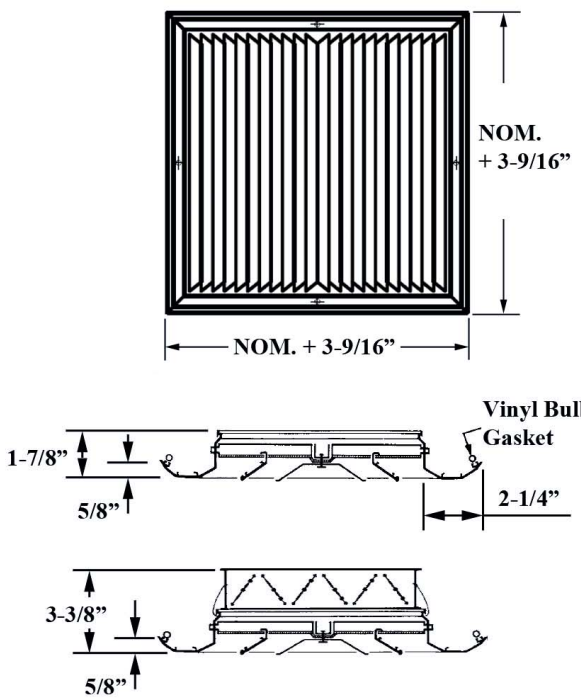





# AIRGUIDE - JS - CEILING DIFFUSER SPECIFICATION SHEET

 <small>LIFETIME AIR DISTRIBUTION ADVANTAGE</small>	<b>CEILING DIFFUSERS</b> SQUARE CEILING DIFFUSERS <b>MODELS: JS2,JS2OB</b>
<b>SUSTAINABLE EXTRUDED ALUMINUM</b>	

**Dimensions are in inches (mm)**

	<p><b>MODEL:</b></p> <h2 style="text-align: center;">JS2</h2>  <p><input type="checkbox"/> <b>JS2</b> Square ceiling diffuser, 2-way</p> <p><input type="checkbox"/> <b>JS2-OB</b> Square ceiling diffuser, 2-way with OB damper</p> <p><b>OPTIONS:</b></p> <ol style="list-style-type: none"> <li>1. Finish             <ul style="list-style-type: none"> <li><input type="checkbox"/> ANOD Clear Anodized</li> <li><input type="checkbox"/> WHITE</li> <li><input type="checkbox"/> MB Medium Bronze</li> <li><input type="checkbox"/> B Black</li> <li><input type="checkbox"/> Custom _____</li> </ul> </li> <li>2. Frame style             <ul style="list-style-type: none"> <li><input type="checkbox"/> Beveled Frame</li> </ul> </li> <li>3. Options:             <ul style="list-style-type: none"> <li><input type="checkbox"/> SR</li> <li><input type="checkbox"/> PLT</li> </ul> </li> </ol>
--	--

**DESCRIPTION:**

1. Frame and blades are 6063 extruded aluminum alloy with 200-R1 satin anodized finish.
2. At the outer edge of the frame is a specially engineered channel which retains an extruded flexible vinyl gasket that produces a positive air seal at the mounting surface, minimizing smudging.
3. This model increases in 2" increments beginning with 6"x6" through 24"x24" as the largest size. The core is non-removable.
4. An optional OB damper mounts through a series of spring clips and is lever-operated from the face of the unit. The damper frame is separated from the blades with nylon bushings. This method of assembly eliminates corrosion and vibration.
5. Standard finish is Anodized. Other finishes are available.

<b>PROJECT:</b>			
<b>ENGINEER:</b>	<b>DATE</b>	<b>SERIES</b>	<b>DRAWING NO.</b>
<b>CONTRACTOR:</b>			

AirGuide Manufacturing, LLC. reserves the right to change any information concerning product or pricing without notice.



#2 Chootoo Road, South Aranguéz, San Juan, Trinidad

