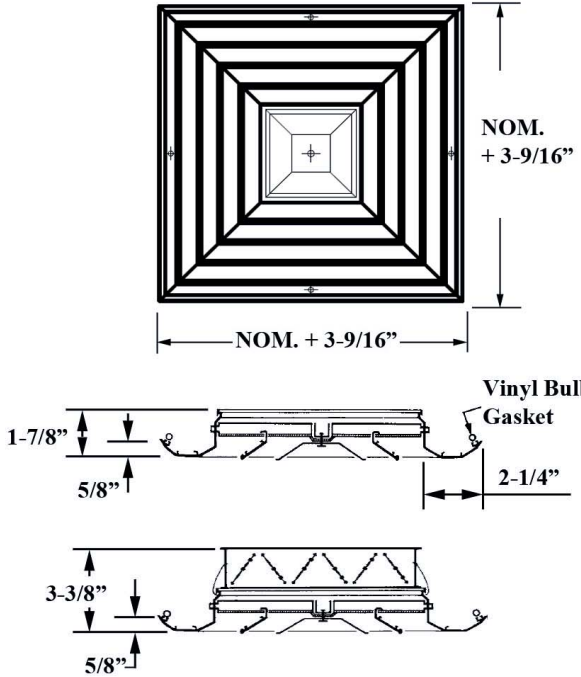




JS SQUARE CEILING DIFFUSER PERFORMANCE DATA

 <p>LIFETIME AIR DISTRIBUTION ADVANTAGE</p>	CEILING DIFFUSERS SQUARE CEILING DIFFUSERS MODELS: JS4,JS4OB		
	SUSTAINABLE EXTRUDED ALUMINUM		

Dimensions are in inches (mm)




Top View Dimensions:
 NOM. + 3-9/16" (width and height)

Side View Dimensions:
 1-7/8" (total height)
 5/8" (blade height)
 2-1/4" (blade width)
 3-3/8" (total depth)
 5/8" (blade depth)

Vinyl Bulb Gasket

MODEL:

JS4



JS4
Square ceiling diffuser, 4-way

JS4-OB
Square ceiling diffuser, 4-way with OB damper

DESCRIPTION:

1. Frame and blades are 6063 extruded aluminum alloy with 200-R1 satin anodized finish.
2. At the outer edge of the frame is a specially engineered channel which retains an extruded flexible vinyl gasket that produces a positive air seal at the mounting surface, minimizing smudging.
3. This model increases in 2" increments beginning with 6"x6" through 24"x24" as the largest size. The core is non-removable.
4. An optional OB damper mounts through a series of spring clips and is lever-operated from the face of the unit. The damper frame is separated from the blades with nylon bushings. This method of assembly eliminates corrosion and vibration.
5. Standard finish is Anodized. Other finishes are available.

OPTIONS:

1. Finish
 - ANOD Clear Anodized
 - WHITE
 - MB Medium Bronze
 - B Black
 - Custom _____
2. Frame style
 - Beveled Frame
3. Options:
 - SR
 - PLT

PROJECT:			
ENGINEER:		DATE	SERIES
CONTRACTOR:			DRAWING NO.

AirGuide Manufacturing, LLC. reserves the right to change any information concerning product or pricing without notice.



#2 Chootoo Road, South Aranguez, San Juan, Trinidad

