



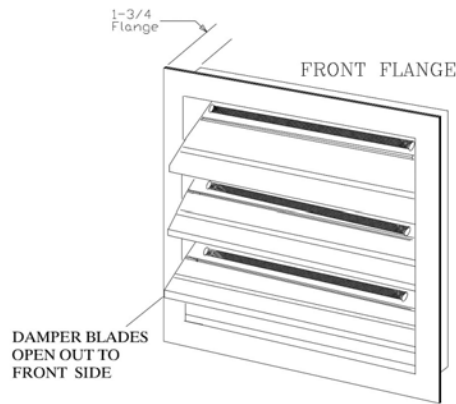
BACKDRAFT DAMPER LBDF-2 FRONT FLANGE SUBMITTAL SHEET



LLOYD INDUSTRIES INC.
WWW.FIREDAMPER.COM

BACKDRAFT DAMPER

MODELS:
LBDF-2 (with Front Flange)

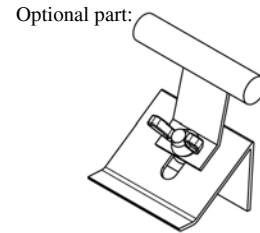


APPLICATION

The LBD-2 is a vertical/horizontal mounted Backdraft Damper that is designed to allow vertical/horizontal airflow and prevent reverse airflow. The damper is opened by air pressure differential and closed by gravity.

OPTIONAL BLADE COUNTERWEIGHTS:
Counterweights available on request

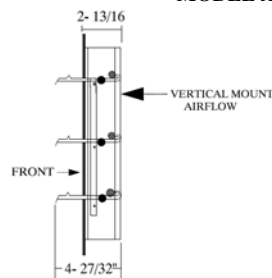
Note: Dampers will be provided less counterweights unless specified.



STANDARD CONSTRUCTION

FRAME:	6063T5 Extruded aluminum Minimum wall thickness 16 Ga.	AXLES:	Cast aluminum
BLADES TYPE:	6063T5 Extruded aluminum 16 Ga. counter balance rod holder Built into rear of blades	LINKAGE:	16 Ga. x 5/8" wide aluminum concealed in the channel frame
SEALS:	Vinyl blade	ORIENTATION:	Horizontal or vertical
		FINISH:	Mill finish

MODEL AND MOUNTING SELECTION

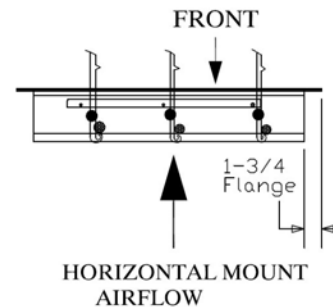


MODEL: LBDF-2

- Vertical Installation
- Flangeless Duct Mounting

MODEL: LBDF-2

- Horizontal Installation



Single Section		Multiple Section
Minimum Size (WxH)	Maximum Size	Maximum Size
6"x6"	36"x60"	UNLIMITED

NOTE:

When used in fan discharge applications, damper should be at least half the fan diameter distance from fan discharge.

Damper is 1/4" less than ordered dimensions unless specified "ACTUAL SIZE".

231 Commerce Dr. Montgomeryville, PA 18936
Tel: 215-412-4445 Fax: 215-412-4409
Email: lloydind@firedamper.com

138 Industrial Loop West, Orange Park, FL 32073
Tel: 904-541-1655 Fax: 904-541-1657
Email: lloydind1@firedamper.com

Website: www.firedamper.com

B1, 4/F., Luen Ming Hing Factory Building
36 Mok Cheong St.,
To Kwa Wan, Kowloon, H. K.
Tel: 852-2760-4188 Fax: 852-2760-4177
Email: tatanlexyim@lloydasia.com



Lloyd Industries Inc. 2017

*ALL STATED SPECIFICATIONS ARE SUBJECT TO UPDATE WITHOUT NOTICE OR OBLIGATION.

