



# BACKDRAFT DAMPER AC30-BRD SUBMITTAL SHEET



## ADJUSTABLE BACKDRAFT ROUND DAMPER



**MODELS:**  
AC 30-BRD  
SINGLE BLADE  
ROUND BACKDRAFT DAMPER

### APPLICATION

The AC 30-BRD is a single blade spiral duct round backdraft damper. This manual balancing damper is designed for round ductwork applications and uses in low pressure and velocity commercial HVAC systems.

### STANDARD CONSTRUCTION

**FRAME:** 6" Deep 22/20 Ga. galvanized steel roll formed and welded double beaded for rigidity and spiral duct connections

**BLADES TYPE:** Single blade  
22 Ga. galvanized  
Single "V" formed stiffener

**SEALS:** Low leakage closed cell neoprene

**BEARINGS:** Non-metallic celcon

**AXLES:** Zinc plated steel

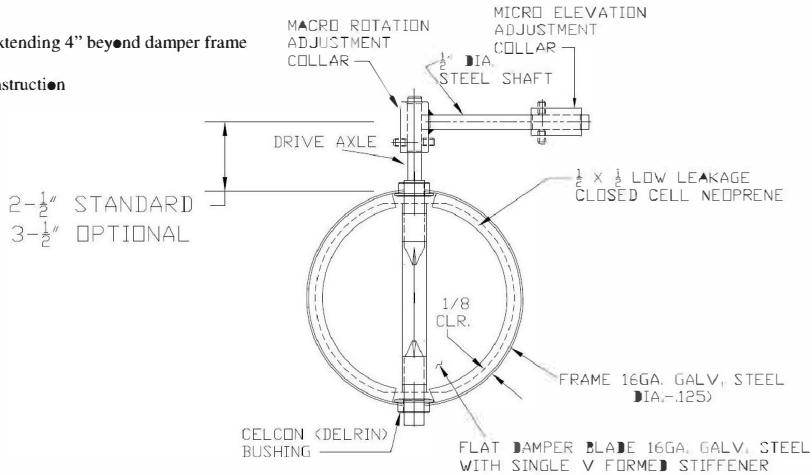
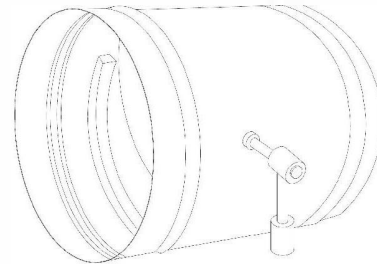
**FINISH:** Mill galvanized

**STANDARD EXTENDED SHAFT:**  
1/2 inch round x 6" long zinc plated steel shaft extending 3 inches beyond the air control frame

**OPTIONS:**  
Long drive axle extending 4" beyond damper frame  
Bronze bearing  
Stainless steel construction

Single Section	
Minimum Size (Diameter)	Maximum Size (Diameter)
4"	24"

Sizing:  
Damper supplied:  
Order diameter less 1/4"



231 Commerce Dr. Montgomeryville, PA 18936  
Tel: 215-412-4445 Fax: 215-412-4409  
Email: lloydind@fire-damper.com

138 Industrial Loop West, Orange Park, FL 32073  
Tel: 904-541-1655 Fax: 904-541-1657  
Email: lloydind@fire-damper.com

B1, 4/F., Luen Ming Hing Factory Building  
36 Mok Cheong St.,  
To Kwa Wan, Kowloon, H. K.  
Tel: 852-2760-4188 Fax: 852-2760-4177  
Email: tatanlexyim@lloydasia.com



Website: www.fire-damper.com

\*ALL STATED SPECIFICATIONS ARE SUBJECT TO UPDATE WITHOUT NOTICE OR OBLIGATION.

Lloyd Industries Inc. 2017

