



CANARM DFRC-ES CIRCULAR DUCT FANS

Operation & Instructions Manual

GENERAL SAFETY

WARNING - TO REDUCE THE RISK OF FIRE, ELECTRIC SHOCK, OR INJURY, PLEASE OBSERVE THE FOLLOWING GUIDELINES.

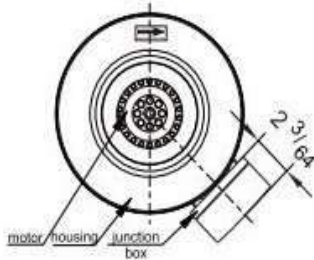
1. Use this unit only in the manner intended by the manufacturer. If you have questions, contact the manufacturer.
2. Before servicing or cleaning this unit, switch power off at service panel and lock the service disconnecting means to prevent power from being switched on accidentally. When the service disconnecting means cannot be locked, securely fasten a prominent warning label to the service panel.
3. **CAUTION: FOR GENERAL VENTILATING USE ONLY. DO NOT USE TO EXHAUST HAZARDOUS OR EXPLOSIVE MATERIALS AND VAPORS.**
4. **CAUTION: THIS UNIT HAS AN UNGUARDED IMPELLER. DO NOT USE IN LOCATIONS READILY ACCESSIBLE TO PEOPLE OR ANIMALS.**
5. **WARNING: TO REDUCE THE RISK OF FIRE, ELECTRICAL SHOCK OR PERSONAL INJURY, OBSERVE THE FOLLOWING GUIDELINES:**
 - a) Installation work and electrical wiring must be done by a qualified electrician in accordance with all applicable codes and standards, including fire-rated construction.
 - b) When cutting or drilling into wall or ceiling, be careful not to damage electrical wiring and other hidden utilities.
 - c) Ducted fans must always be vented to outdoors.
 - d) If this unit is to be installed over a bath tub or shower, it must be marked as appropriate for the application and be connected to GFCI (Ground Fault Circuit Interrupter) - protected branch circuit.
6. **CAUTION: This duct fan shall be installed a minimum of one meter from any accessible opening of the duct.**

PARTS

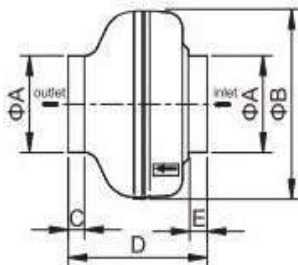
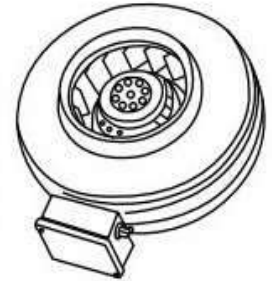
Check to make sure you have all of the parts show at right before you begin.

DESCRIPTION	IMAGE	QTY	DESCRIPTION	IMAGE	QTY
Mounting Bracket		1	Screw (ST5X10)		4
Rubber Stopper		4	Screw (ST4.2X25)		4

DIMENSIONS



MODEL	PART #	ØA	ØB	C	D	E	IMPELLER DIAMETER
DFRC-4ES	DJT10-25H	4"	9 1/2"	5/8"	8 3/8"	5/8"	Ø6 1/8"
DFRC-5ES	DJT12-35H	5"	9 1/2"	7/8"	7 1/2"	1"	Ø6 7/8"
DFRC-6ES	DJT15-46H	6"	10 5/8"	3/4"	7 5/8"	5/8"	Ø7 1/2"
DFRC-8ES	DJT20-56H	8"	13 1/2"	1 1/8"	9"	7/8"	Ø8 5/8"
DFRC-10ES	DJT25-66H	10"	13 1/2"	1 1/8"	9"	1 1/8"	Ø9 1/2"
DFRC-12ES	DJT31-66J	12"	15 3/4"	1 1/8"	10 1/4"	1 1/8"	Ø9 7/8"



ELECTRICAL RATINGS

MODEL	PART #	RATED VOLTAGE (V~)	RATED FREQUENCY (Hz)	INPUT POWER (W)	ELECTRIC CURRENT (A)	MAX. STATIC PRESSURE (inch W.G.)	MAX AIR VOLUME (CFM)	SPEED (RPM)	SOUND LEVEL (dB)	INSULATION CLASS	VALUE OF CAPACITOR (µF)	NET WEIGHT
DFRC-4ES	DJT10-25H	120	60	40	0.35	1.12	130	2912	60	F	2	6.61 lbs
DFRC-5ES	DJT12-35H	120	60	53	0.45	1.28	160	2593	62	F	3	6.61 lbs
DFRC-6ES	DJT15-46H	120	60	74	0.63	1.60	230	2534	61	F	3.5	7.28 lbs
DFRC-8ES	DJT20-56H	120	60	128	1.19	2.20	450	3158	70	F	6	12.35 lbs
DFRC-10ES	DJT25-66H	120	60	140	1.20	2.64	550	3028	71	F	8	12.35 lbs
DFRC-12ES	DJT31-66J	120	60	203	1.77	3.08	710	2443	70	F	8	15.21 lbs



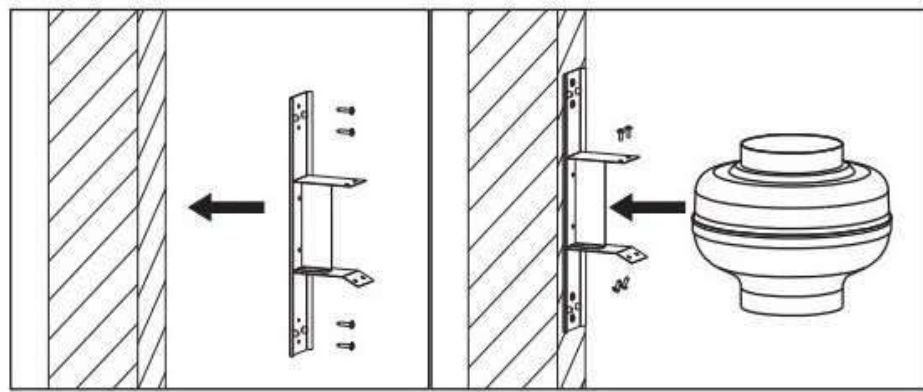


CANARM DFRC-EC CIRCULAR DUCT FANS

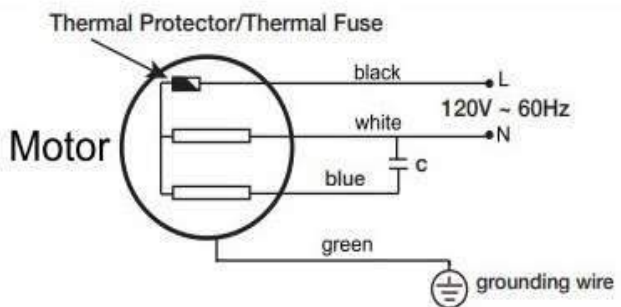
Operation & Instructions Manual

INSTALLATION

1. You will need to drill holes to attach the bracket to the fan. Layout and drill the holes as required.
 2. Fix the installation bracket on the wall or ceiling with the screws provided.
 3. Mount the fan casing to the installation brackets with the screws provided.
 4. Rotate the impeller by hand before operation and check its flexibility to make sure it turns freely. Connect to power source.
CAUTION: KEEP HANDS AWAY FROM IMPELLER.
- Turn on power to observe the following:
- Direction of rotation should correspond to direction of rotation arrow on the label.
 - Fan is operating normally if it is not overly hot, is not making excessive noise and blade is turning at a consistent rate while in operation.
 - Turn power off.
5. Connect the air duct to the fan and fasten with poly clamps or adhesive tape (needs to be purchased separately).
 6. This unit is for indoor use only and both ends must be properly ducted.
 7. The minimal height of installation is 2.3 meters.
 8. Backdraft devices are recommended.



WIRING DIAGRAM



MAINTENANCE

1. Clean out: It is usually necessary if a unit is kept running for over 6 months. To clean, use a brush or dry cloth. Do not use water or any other liquid.
2. Dismantling: Remove the suspended bracket and the junction box to expose the cover. Unscrew the bolts on the junction box and the fan. The motor and fan should now be accessible for cleaning.